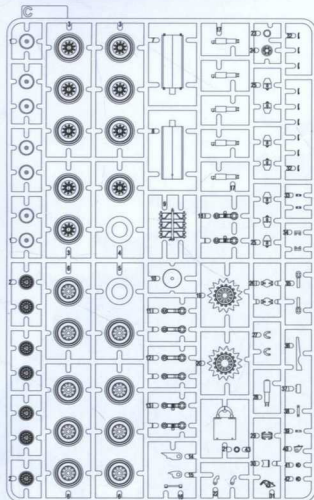
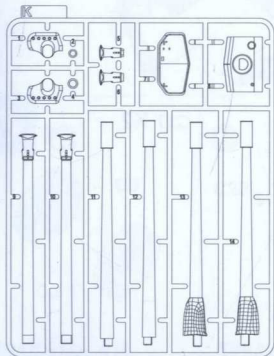
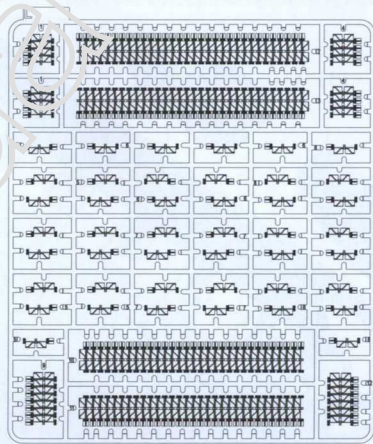
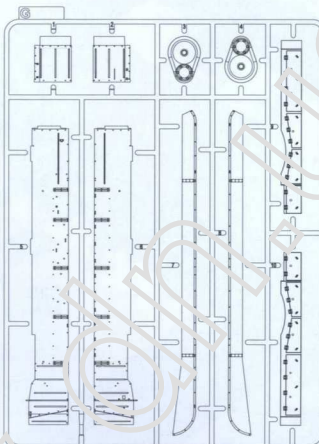
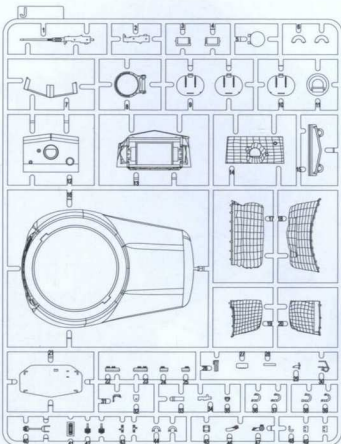


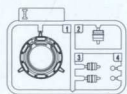
PARTS



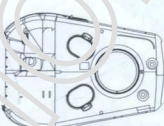
X2



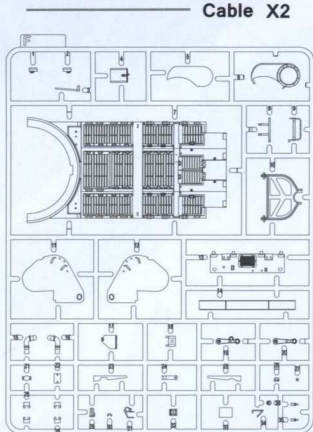
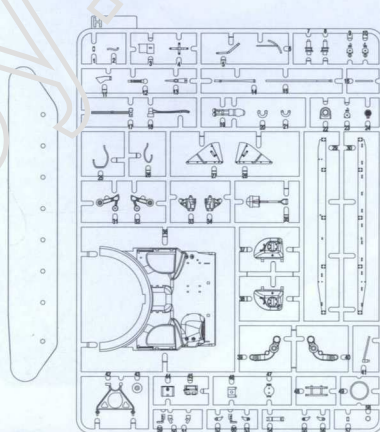
Lower hull



Deca

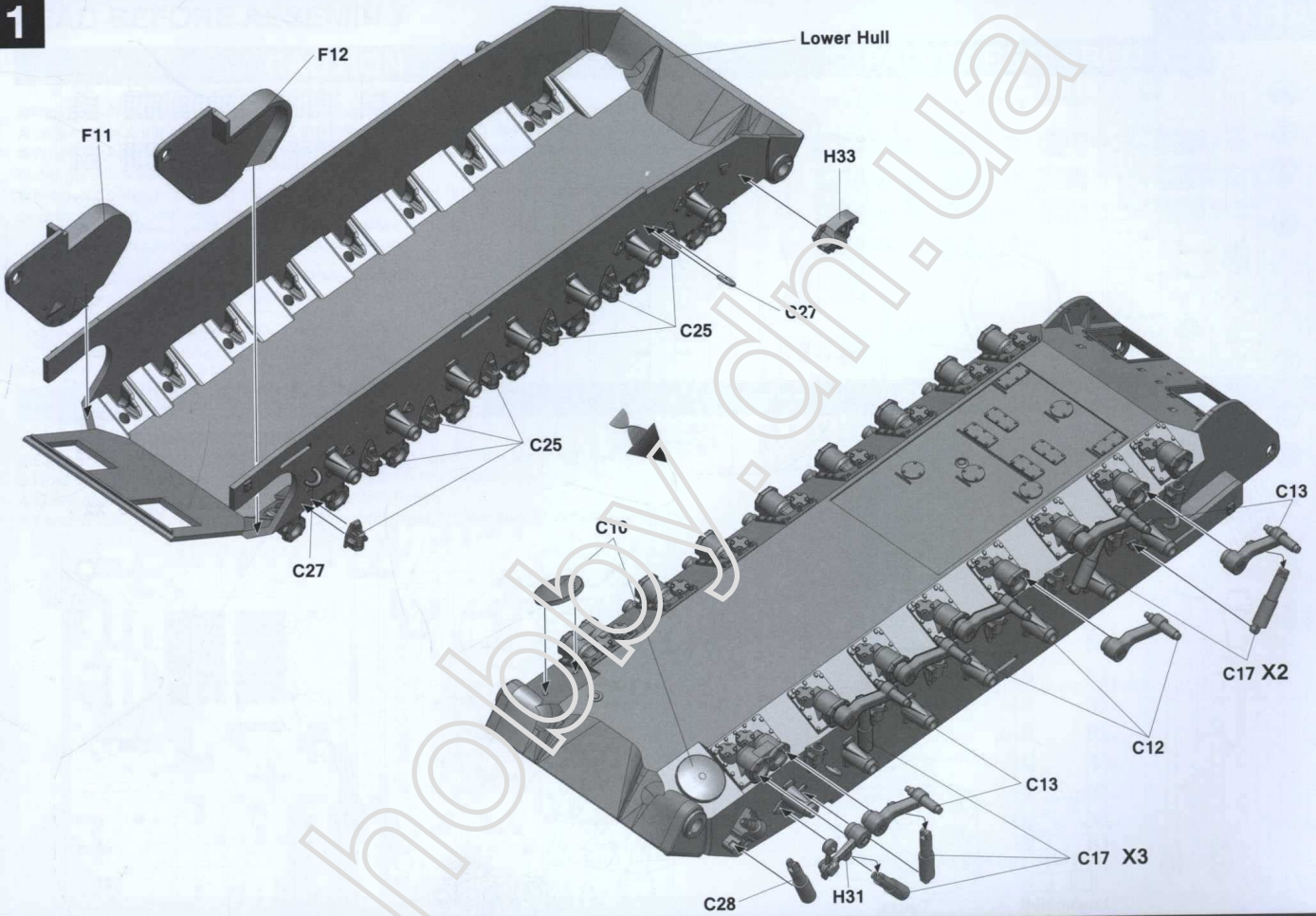


Turret

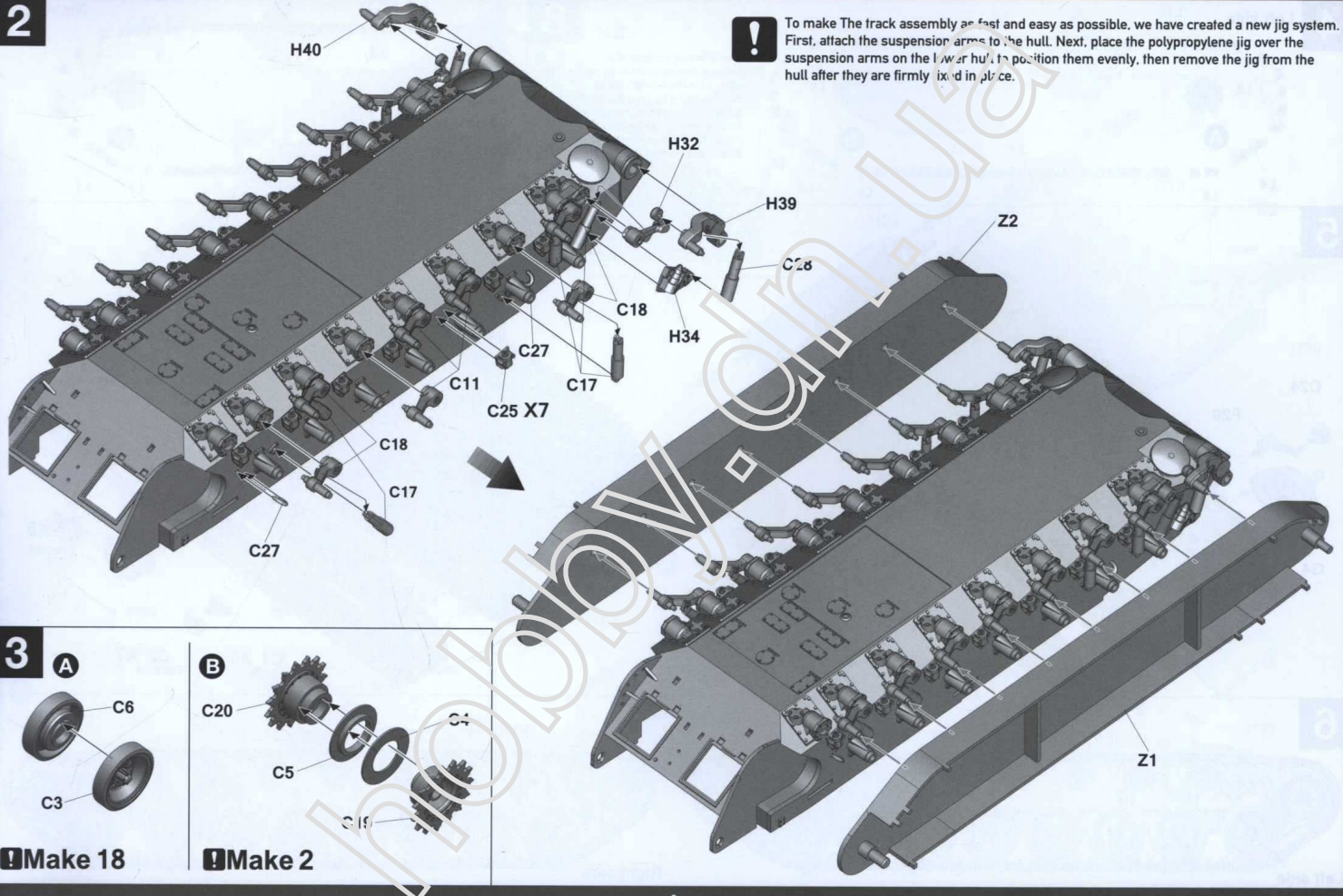


Cable X2

1



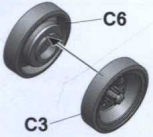
2



! To make The track assembly as fast and easy as possible, we have created a new jig system. First, attach the suspension arms to the hull. Next, place the polypropylene jig over the suspension arms on the lower hull to position them evenly, then remove the jig from the hull after they are firmly fixed in place.

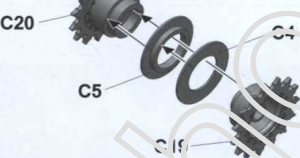
3

A



Make 18

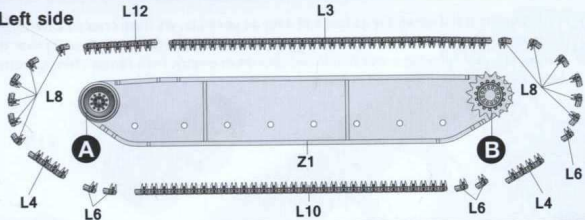
B



Make 2

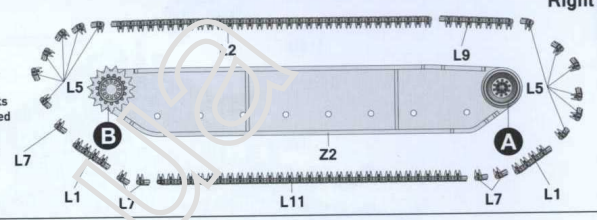
4

Left side

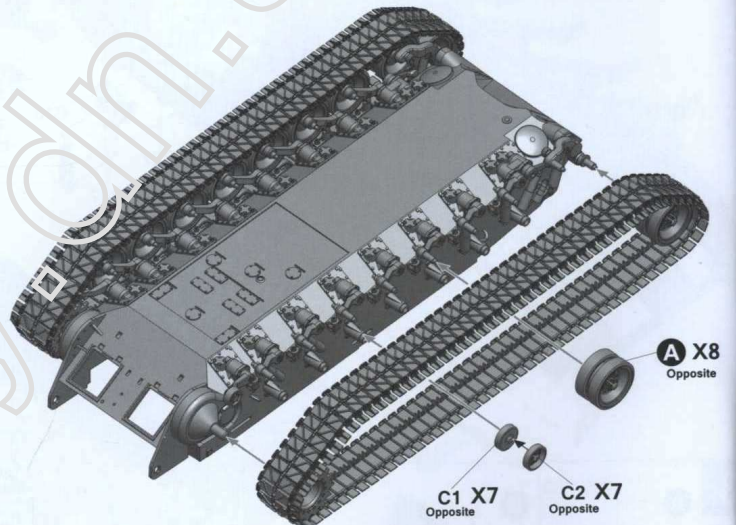
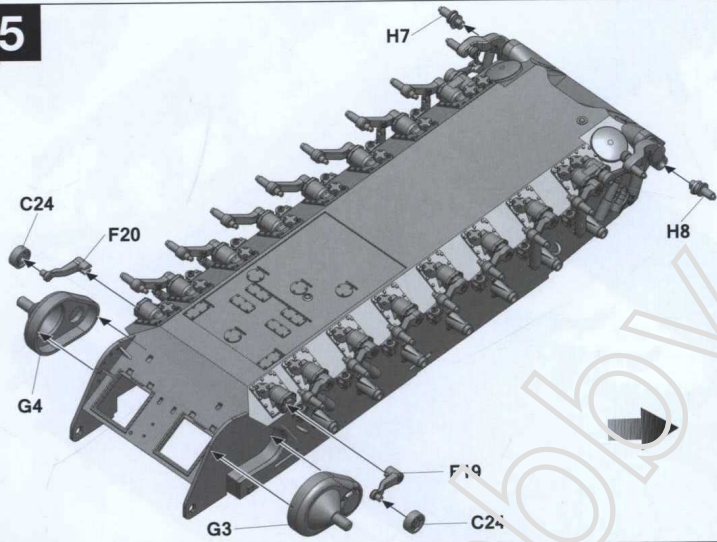


After attaching the front idler and rear drive sprocket to the jig, cement the link & length tracks together on the jig. Once the tracks are dry, they can be easily removed from the jig because it will not adhere to the polystyrene tracks. Finally, add the road wheels.

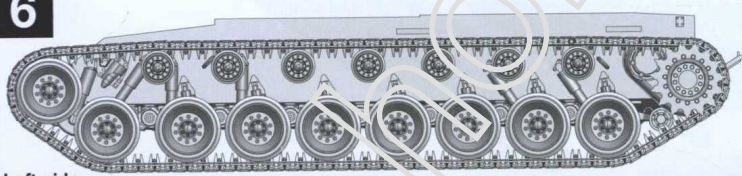
Right side



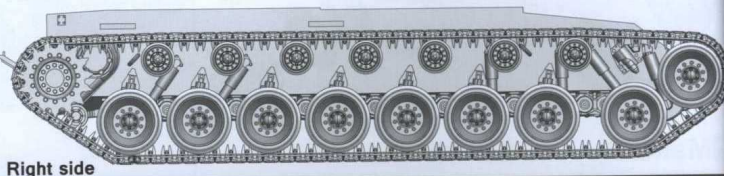
5



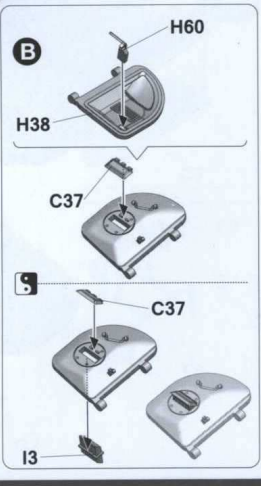
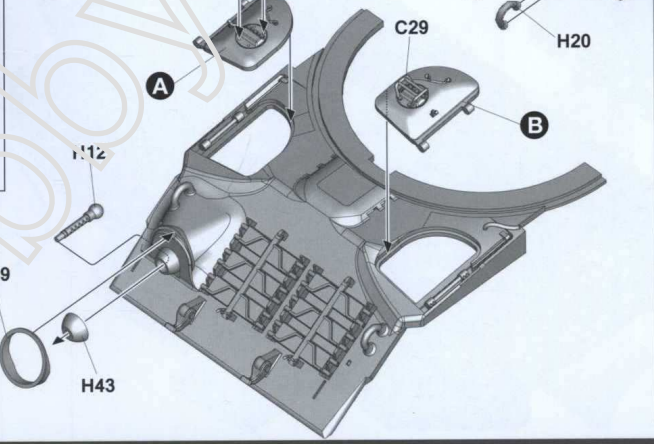
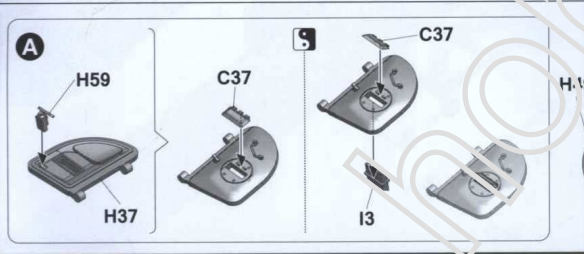
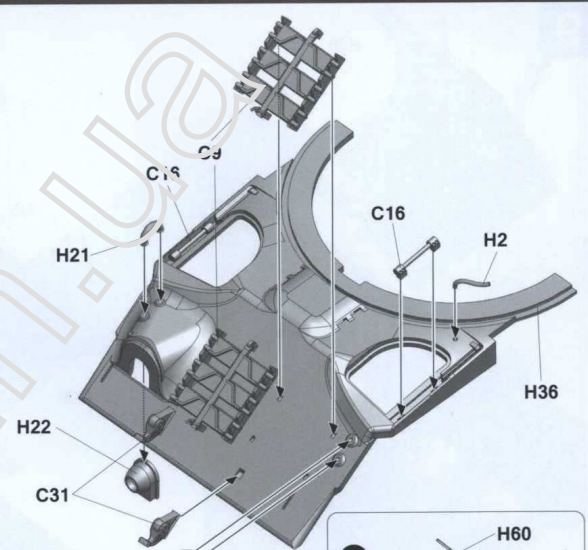
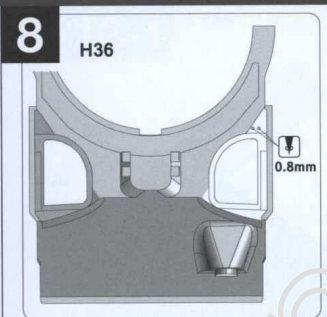
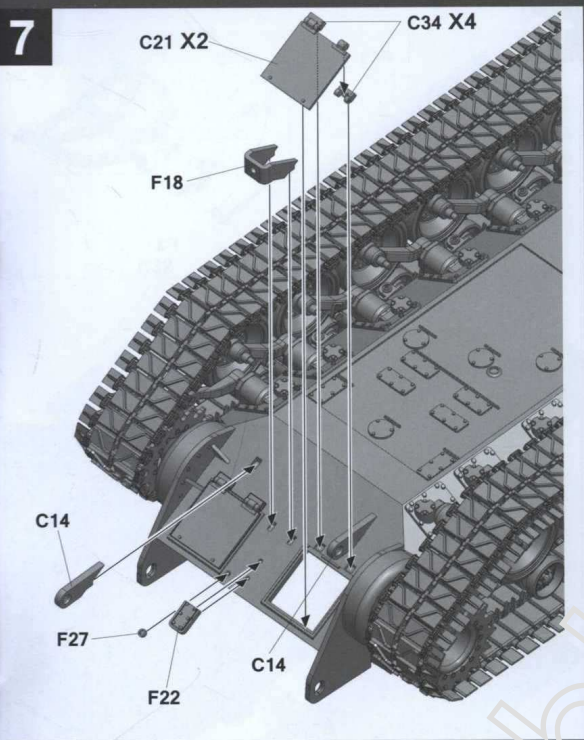
6



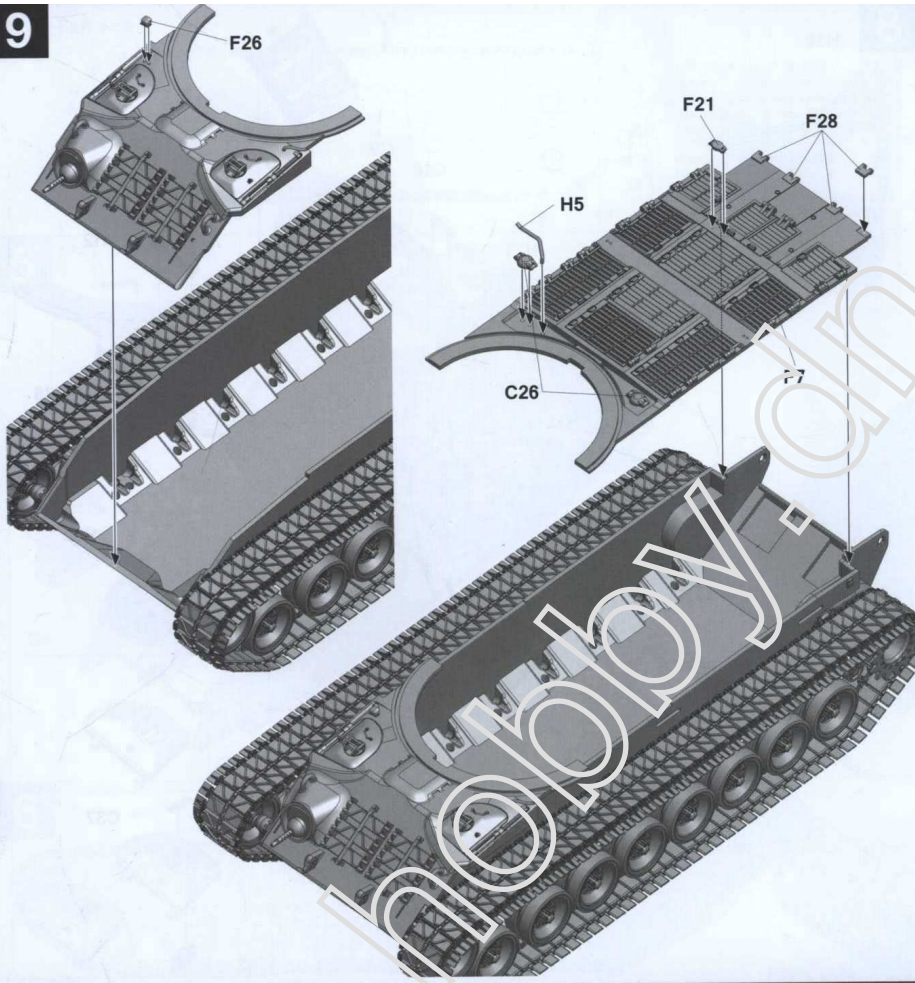
Left side



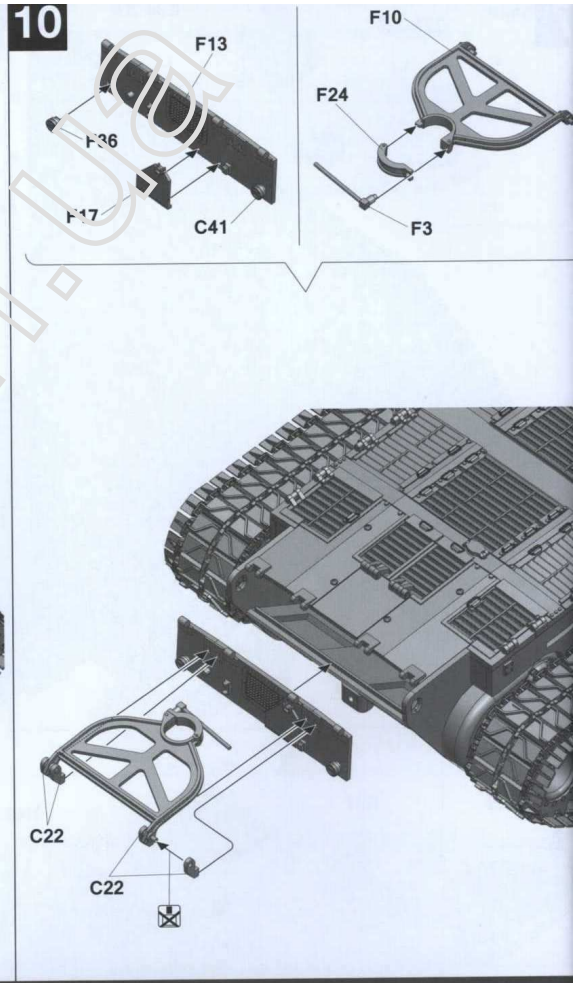
Right side



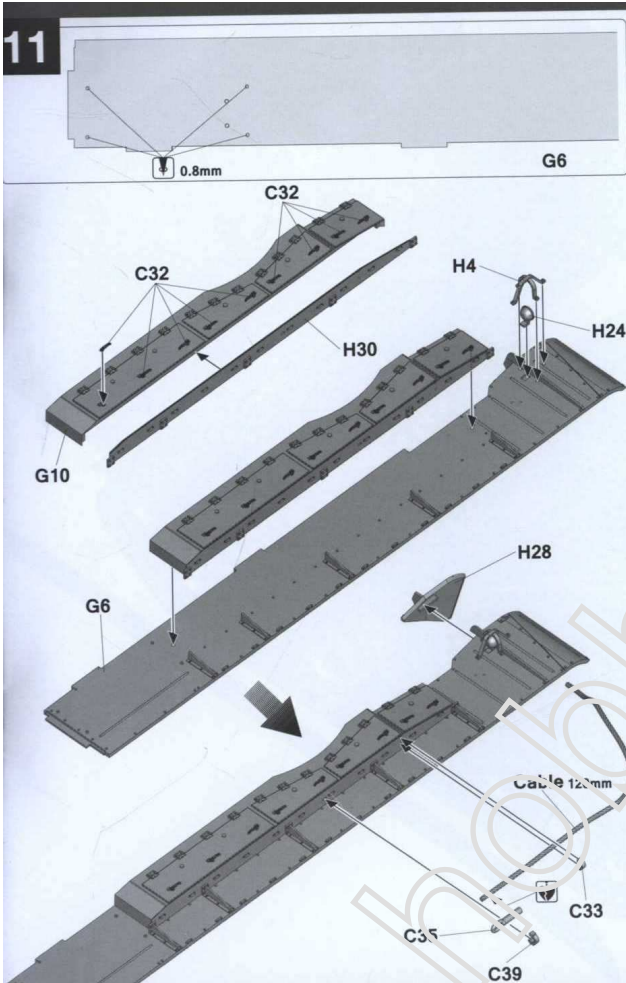
9



10

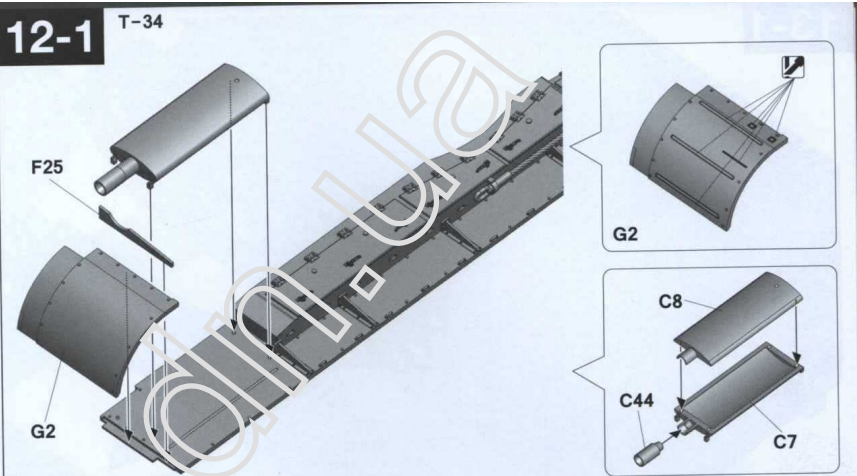


11



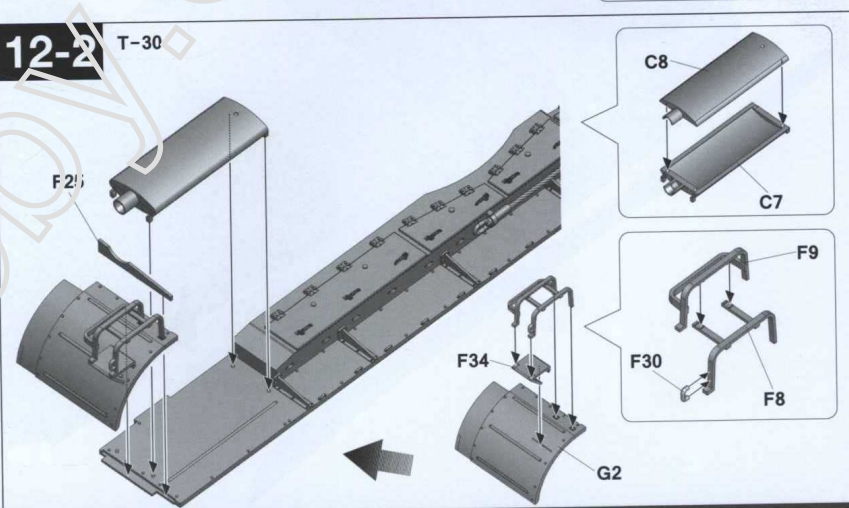
12-1

T-34

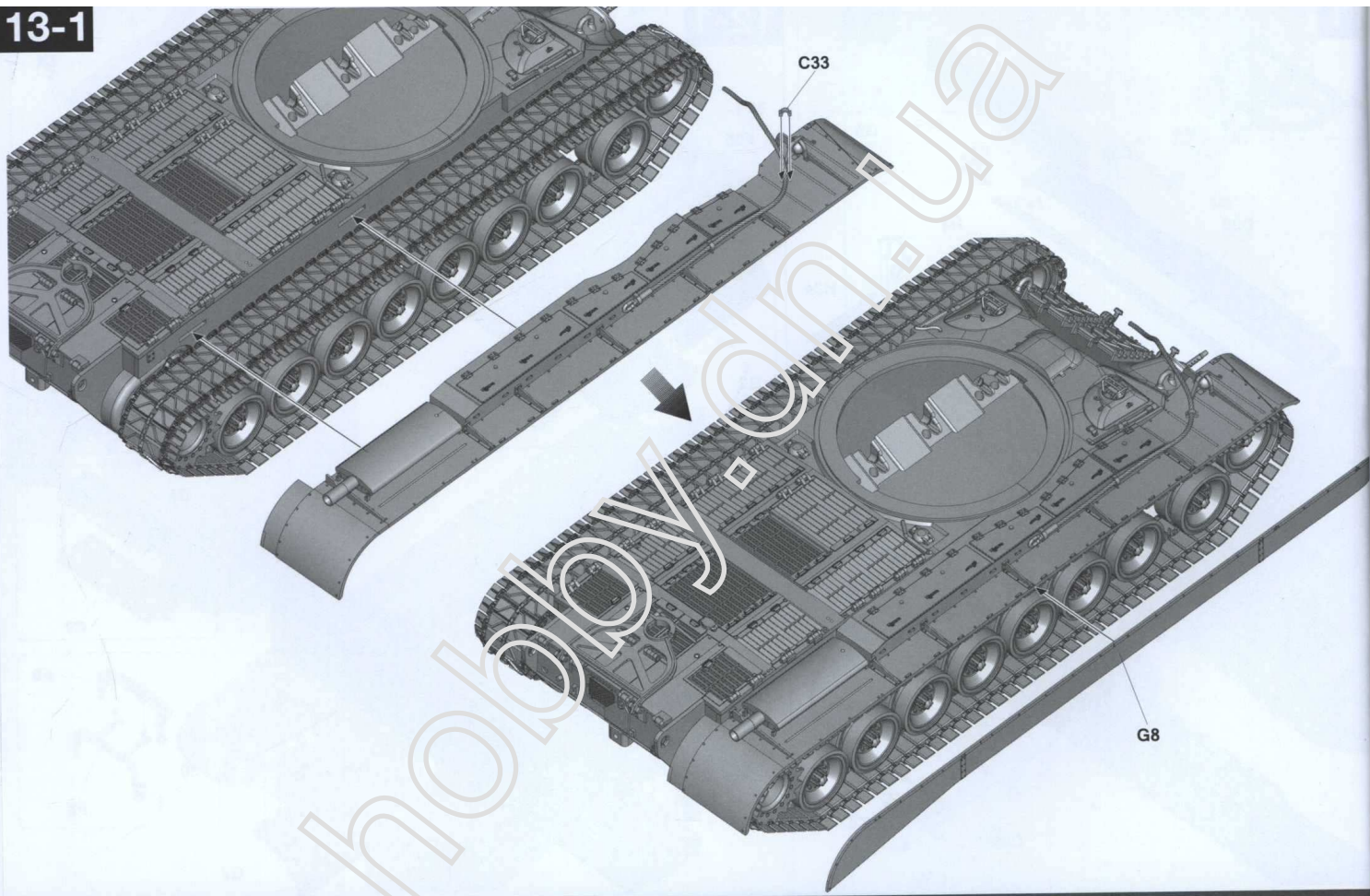


12-2

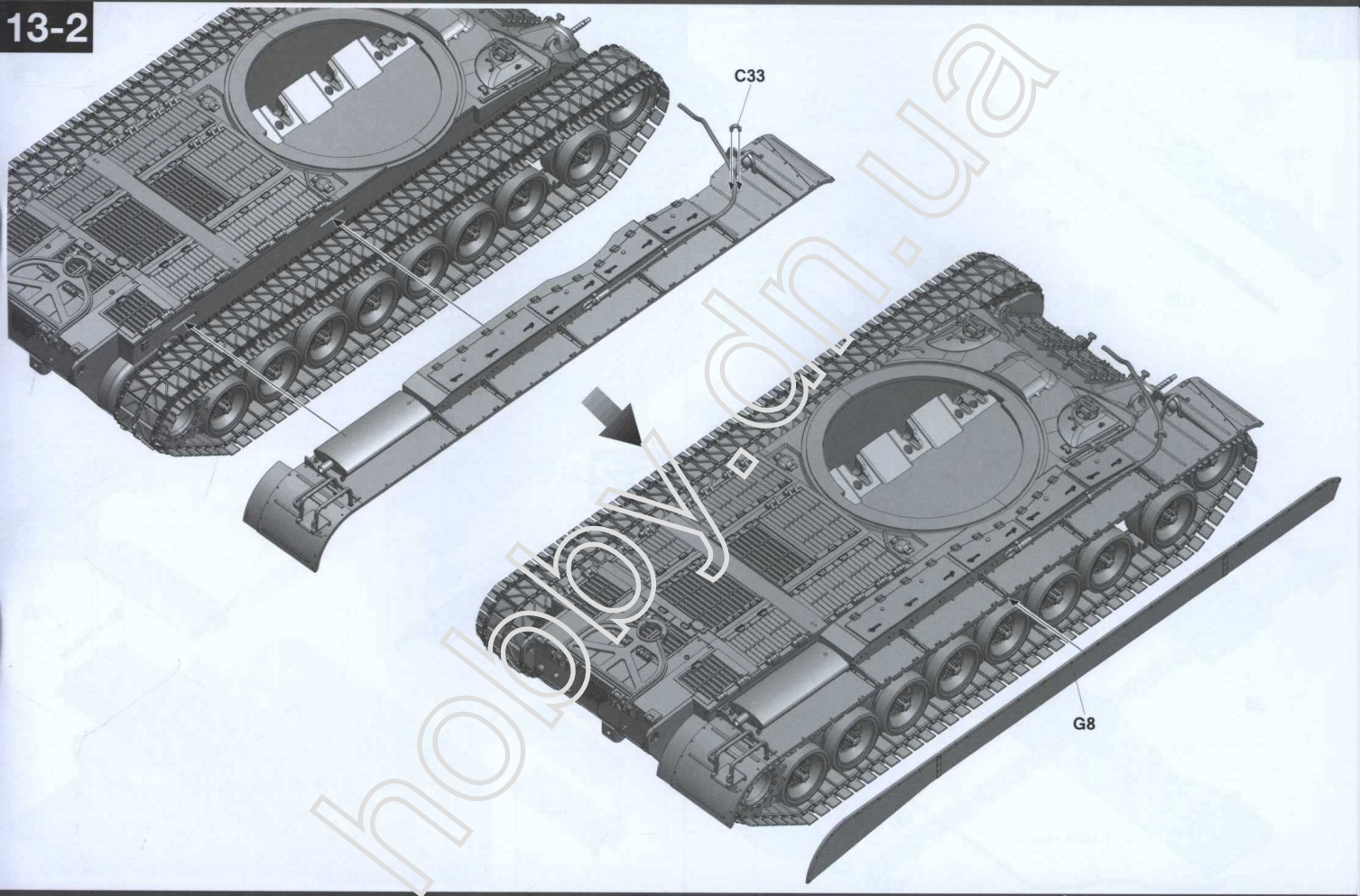
T-30



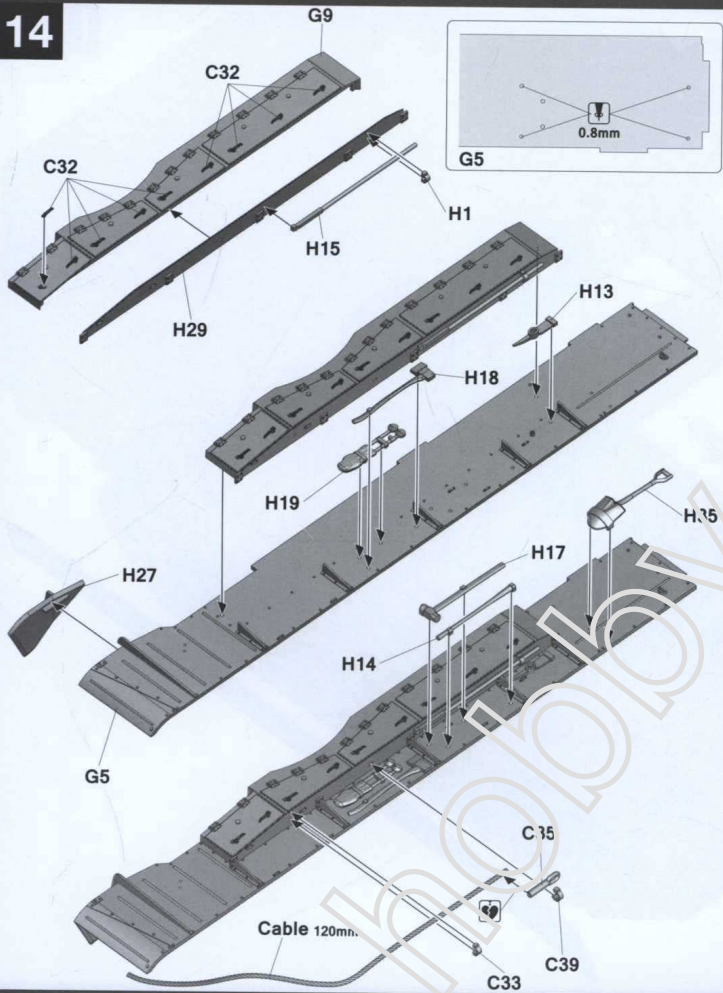
13-1



13-2

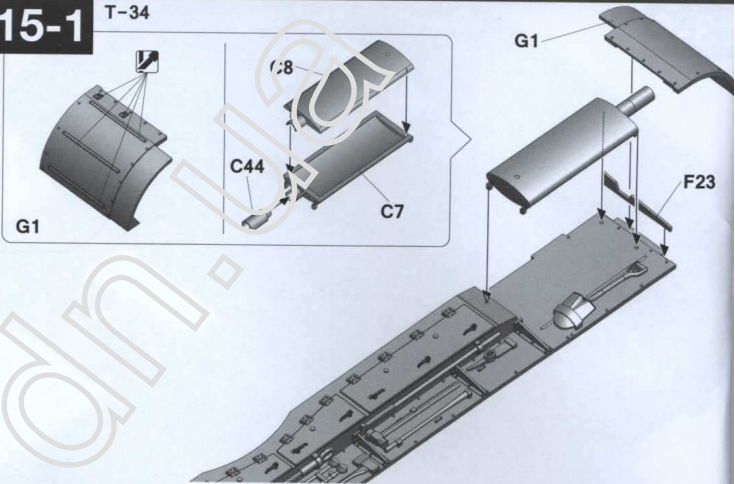


14



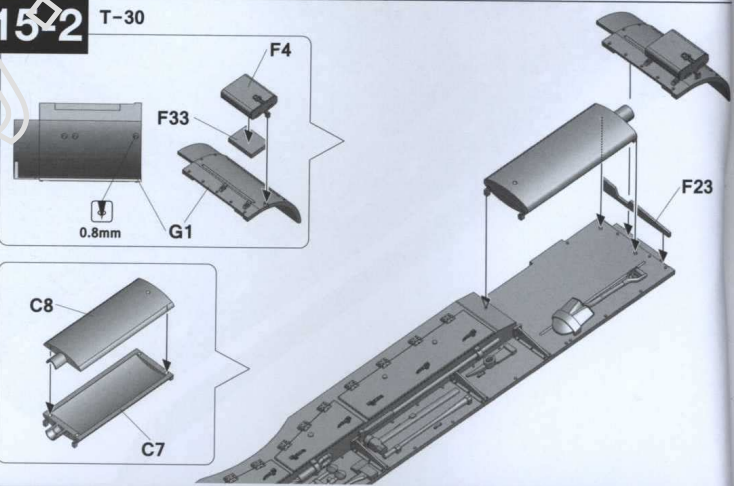
15-1

T-34

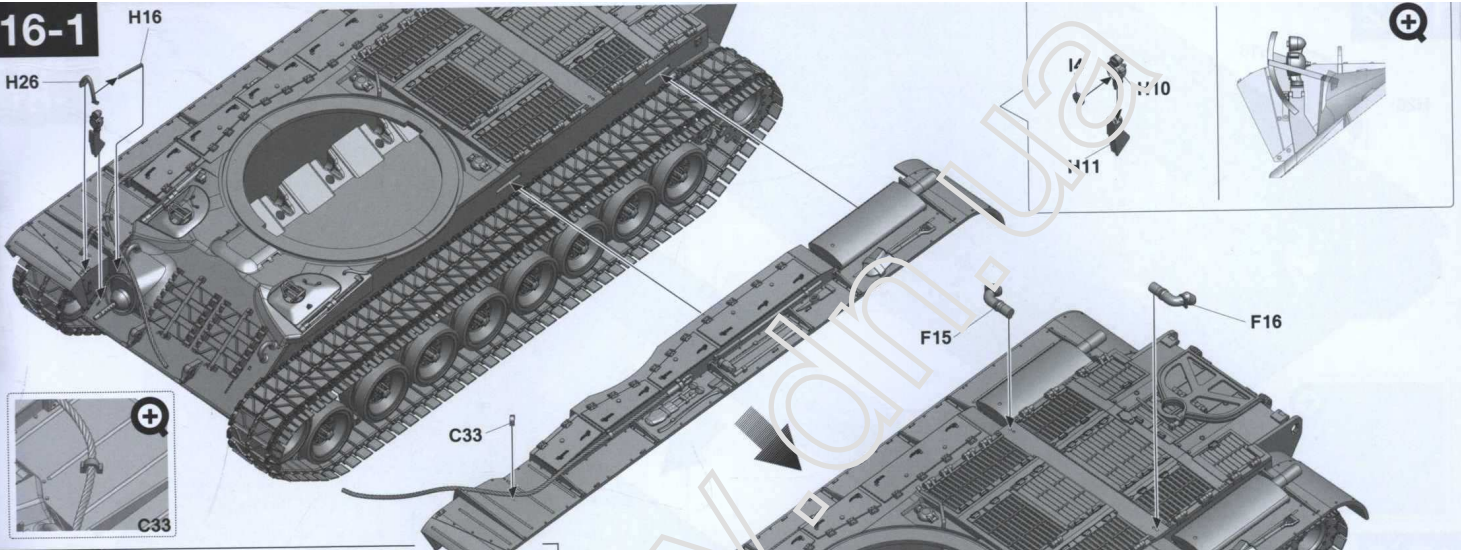


15-2

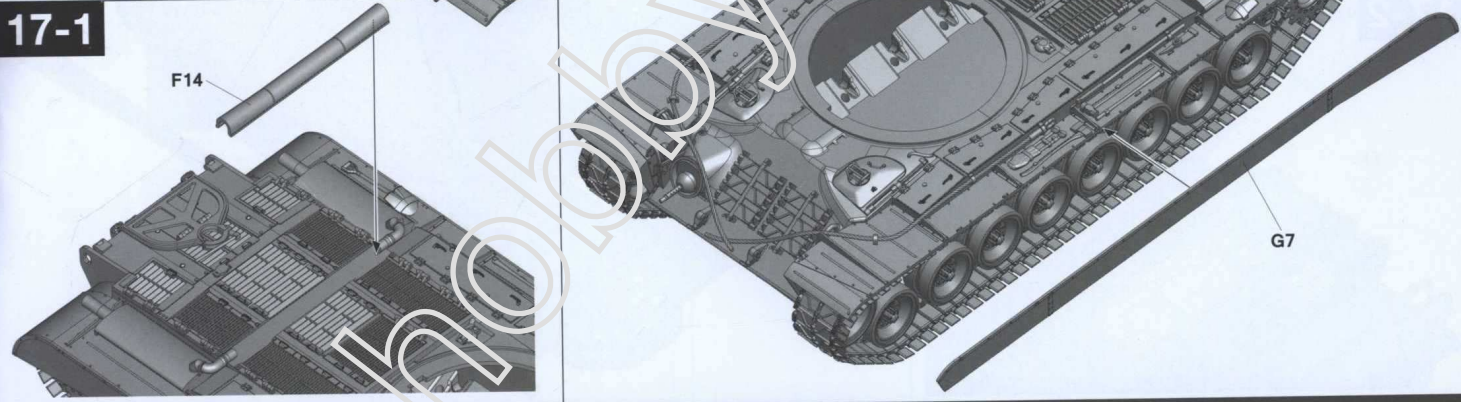
T-30



16-1



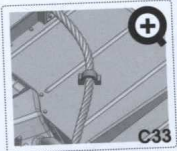
17-1



16-2

H26
H16

H4
H10
H11



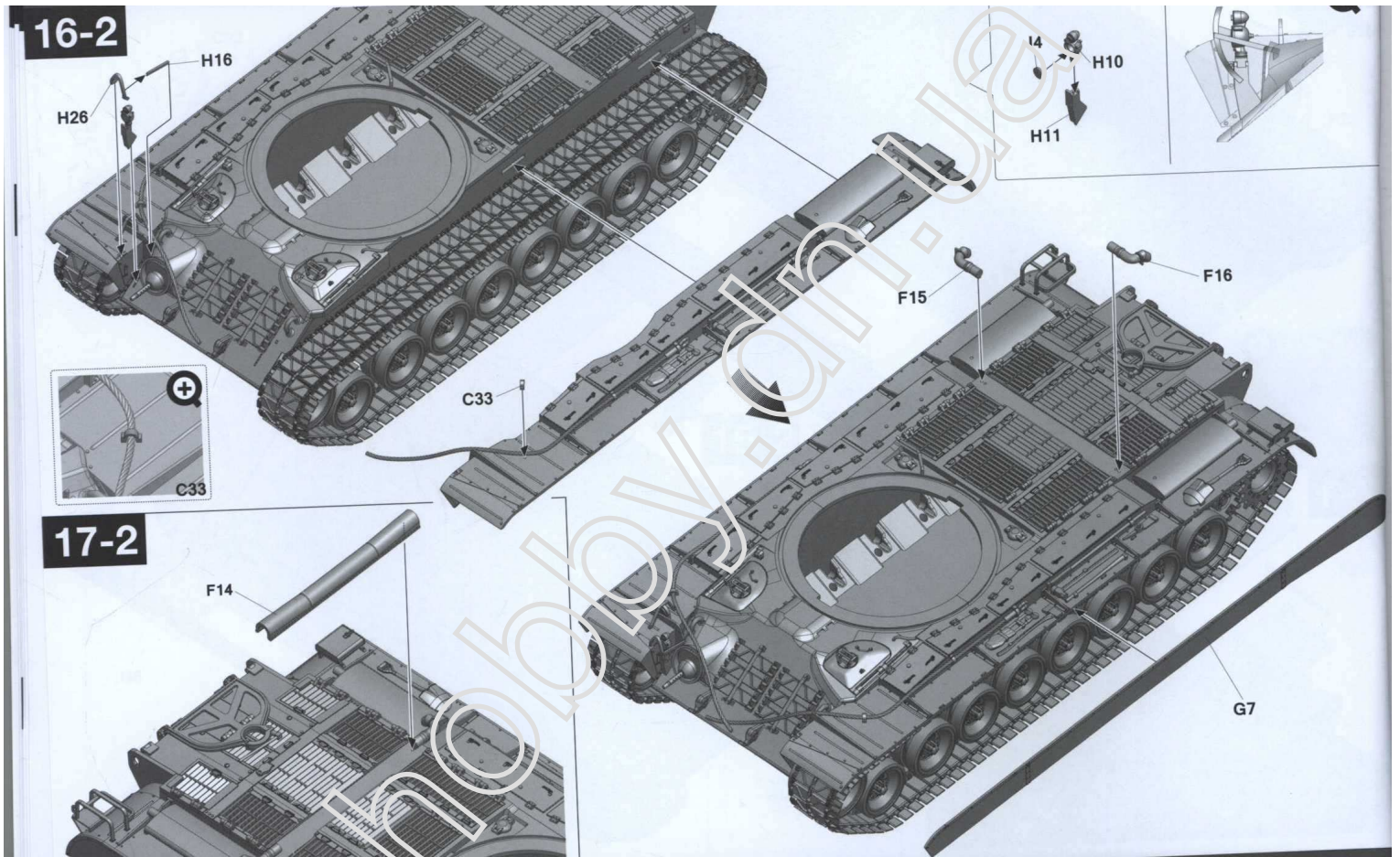
17-2

F14

F15

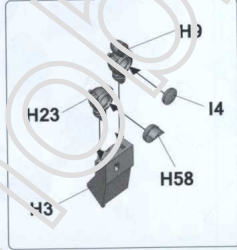
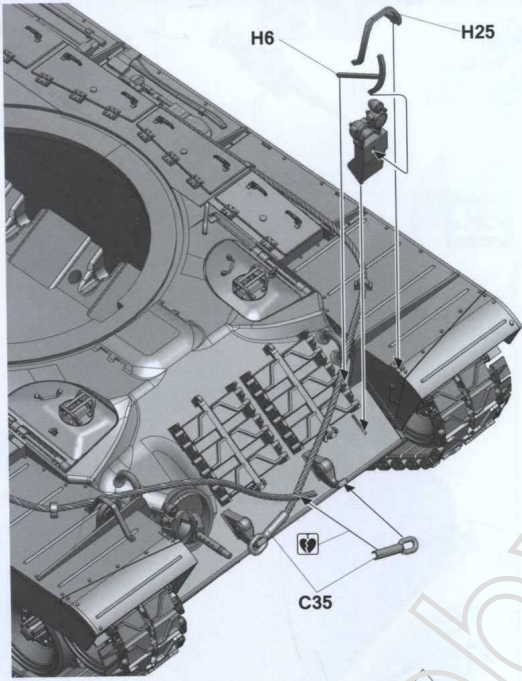
F16

G7

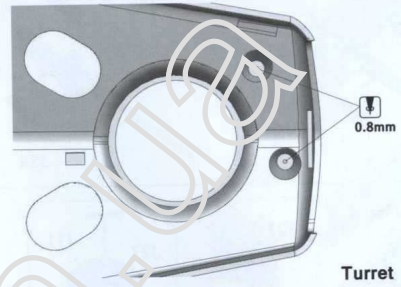


18-1

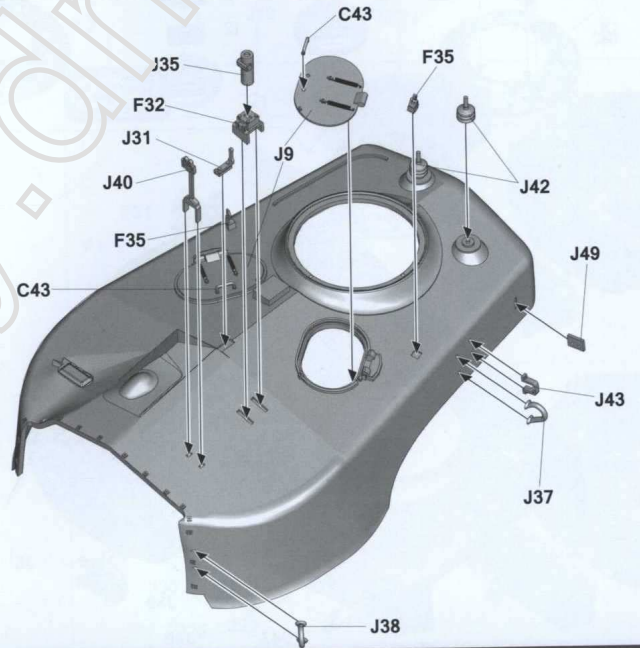
18-2

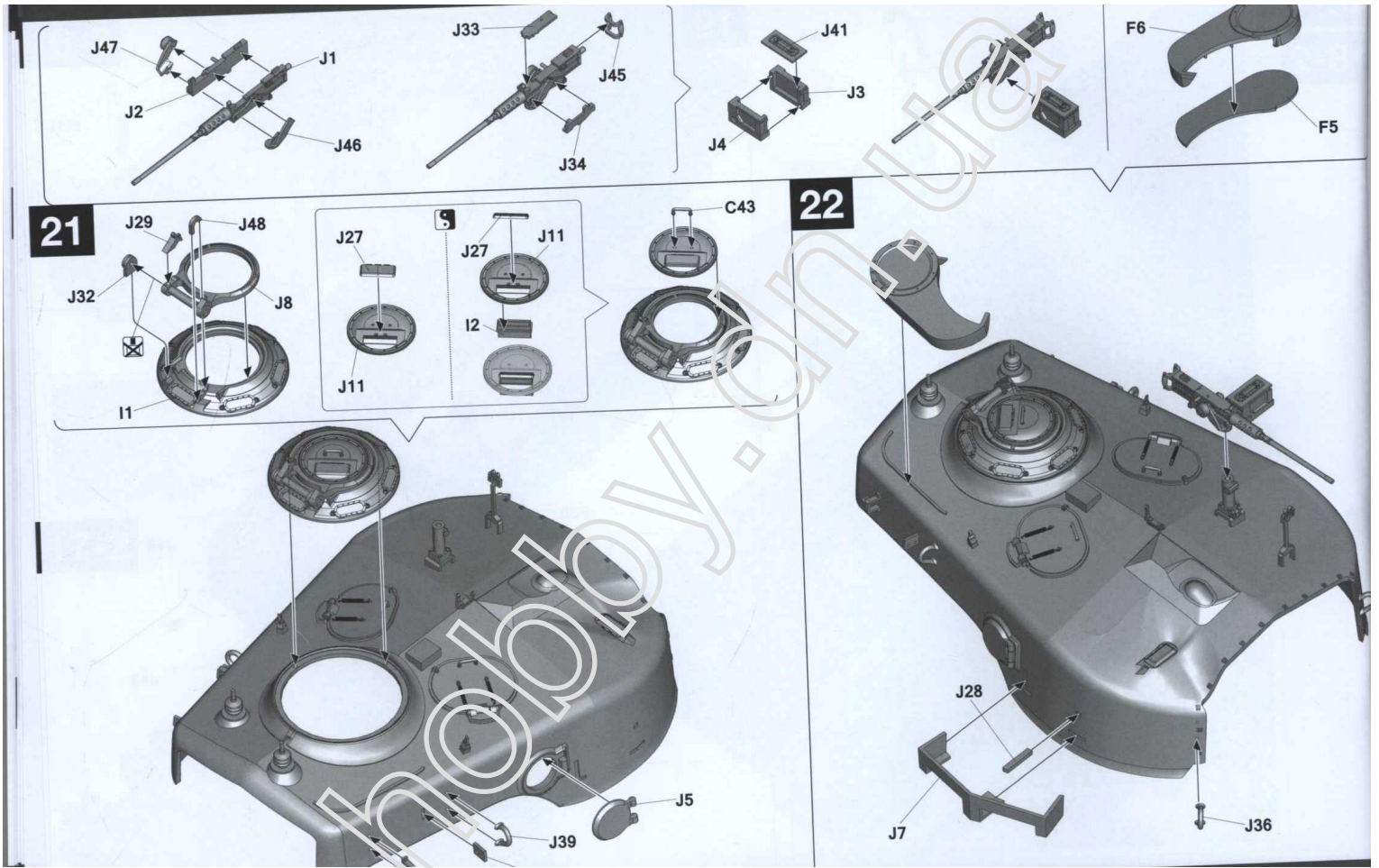


19



20



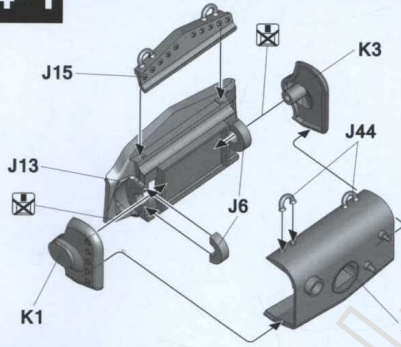


23

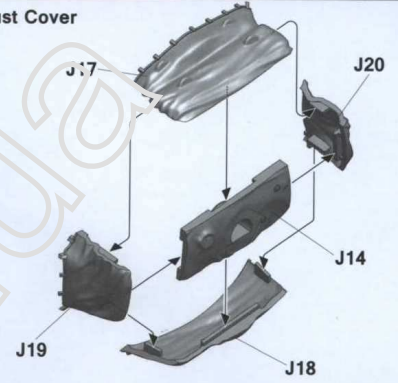


24-1

T-34

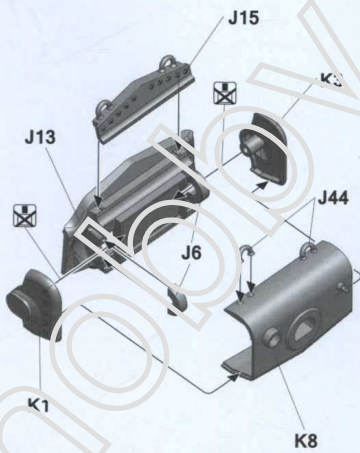


5 Dust Cover

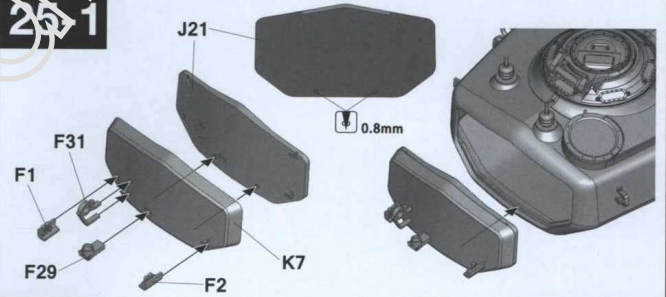


24-2

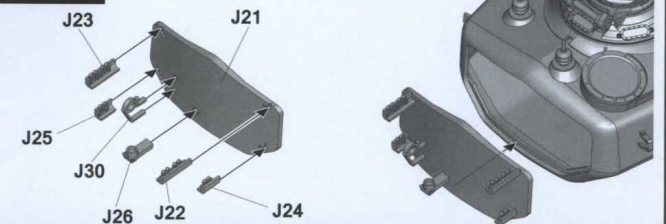
T-30



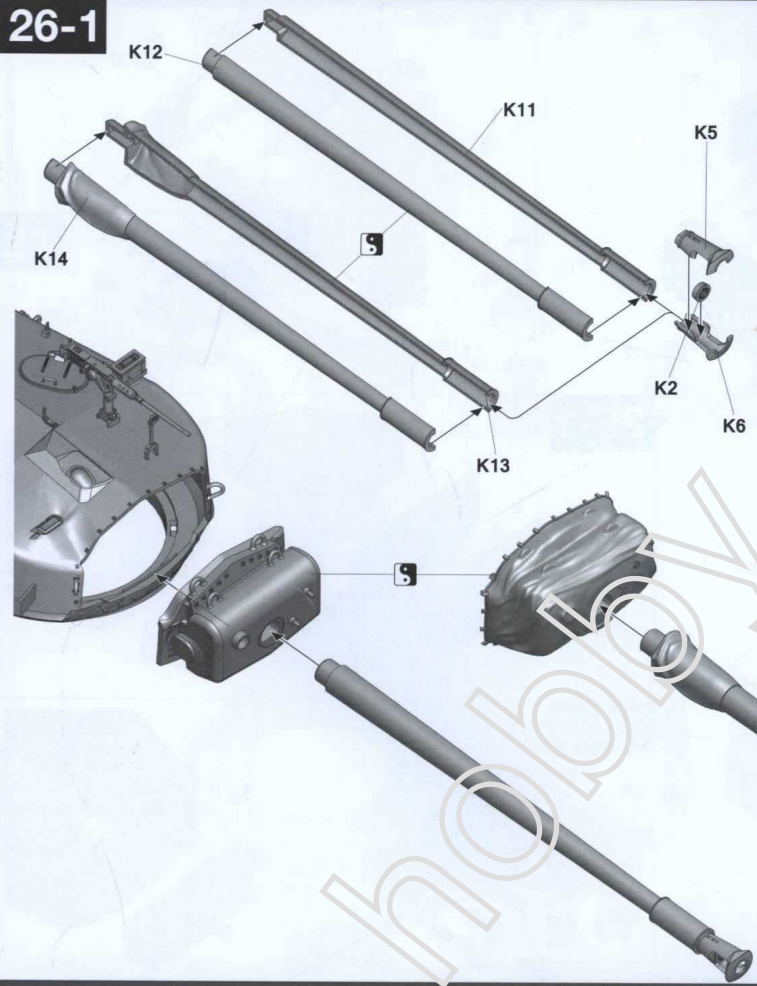
25-1



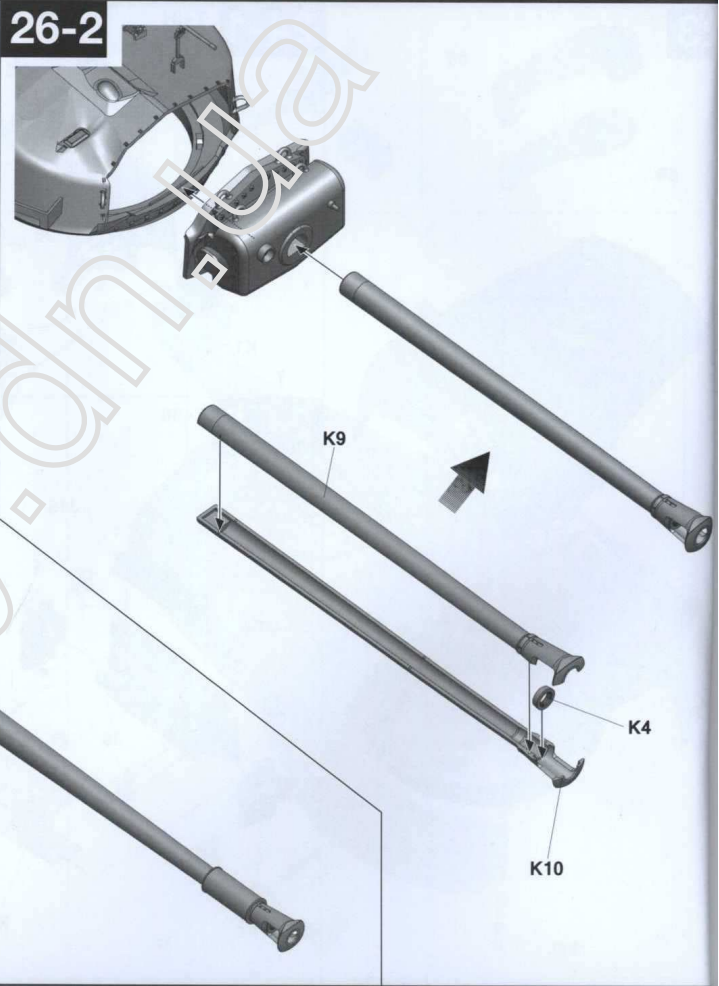
25-2



26-1



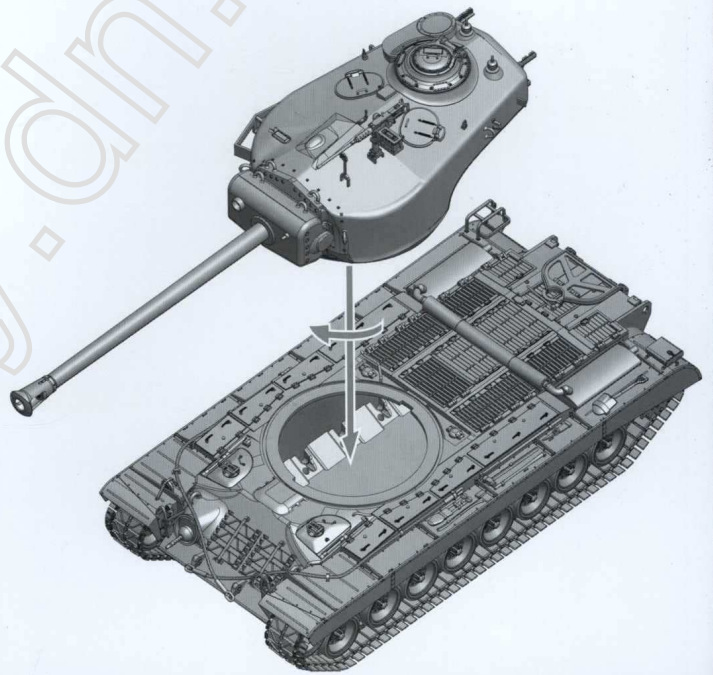
26-2



27-1



27-2





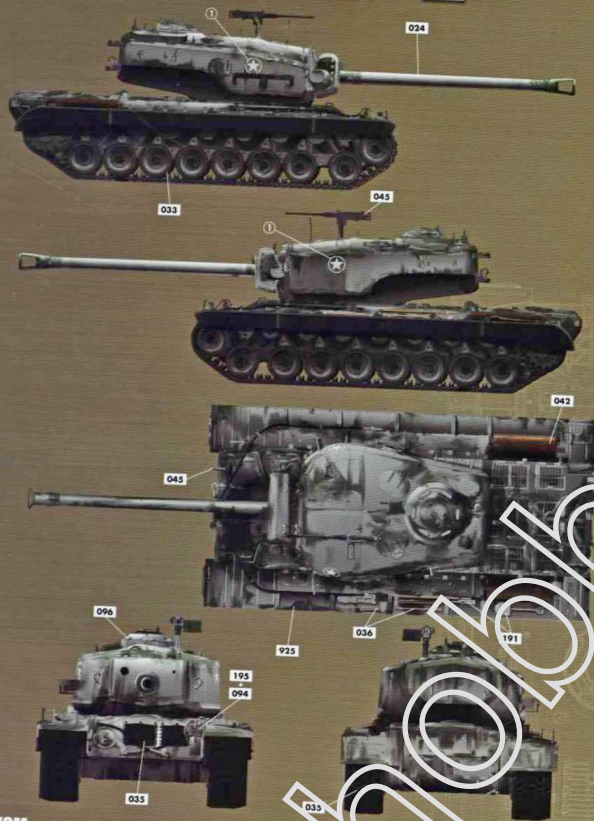
T30/34



Painting and Marking Guide

Ardennes 1945.

- AMMO 033 Rubber & Tires
- AMMO 035 Dark Tracks
- AMMO 036 Old Wood
- AMMO 042 Old Rust
- AMMO 043 Gun Metal
- AMMO 094 Crystal Glass
- AMMO 096 Crystal Periscope Green
- AMMO 191 Polished Metal
- AMMO 193 Silver
- AMMO 024 Washable White Camo
- AMMO 925 Olive Drab Dark Base

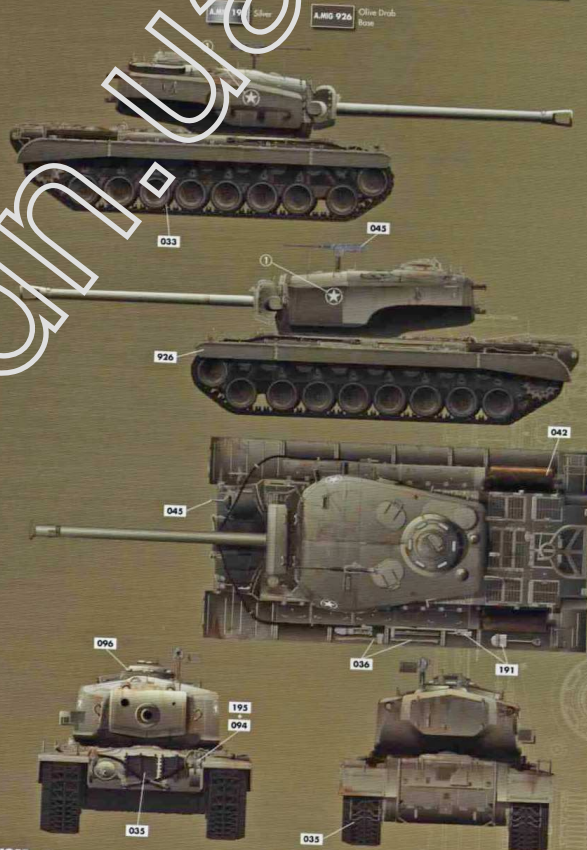


TAKOM U.S. Heavy Tank T30/34 (2 in 1) Ref. 2065

Painting and Marking Guide

Germany 1945.

- AMMO 033 Rubber & Tires
- AMMO 035 Dark Tracks
- AMMO 036 Old Wood
- AMMO 042 Old Rust
- AMMO 043 Gun Metal
- AMMO 094 Crystal Glass
- AMMO 096 Crystal Periscope Green
- AMMO 191 Polished Metal
- AMMO 193 Silver
- AMMO 926 Olive Drab Base



TAKOM U.S. Heavy Tank T30/34 (2 in 1) Ref. 2065